

Desalination Plants

"Ultra-DM" Demineralisation

"Ultra – DM" demineralization system is the most economical means of meeting the increasing industry need for pure water with low TDS feed water. "Ultra – DM" demineraliser are based on Ion-Exchange Technology for removal of dissolved salts from water.

"Ultra – DM – PAC" Package Demineraliser

"Ultra-DM-PAC" series of standard package two step demineraliser are based on latest technique of Computer Current Regeneration (CCR), ranging from 100LPH to 6 m³ /hr to serve a wide variety of industries.

"Ultra – DM – PAC" series unit consists of two FRP pressure vessel, extra strong engineering grade plastic pipes and rugged multipart valve for easy operation. Necessary regeneration tank with ejector, conductivity meter, high grade Ion Exchange Resin is also offered with the system.

"Ultra-DM-ID" Industrial Demineraliser

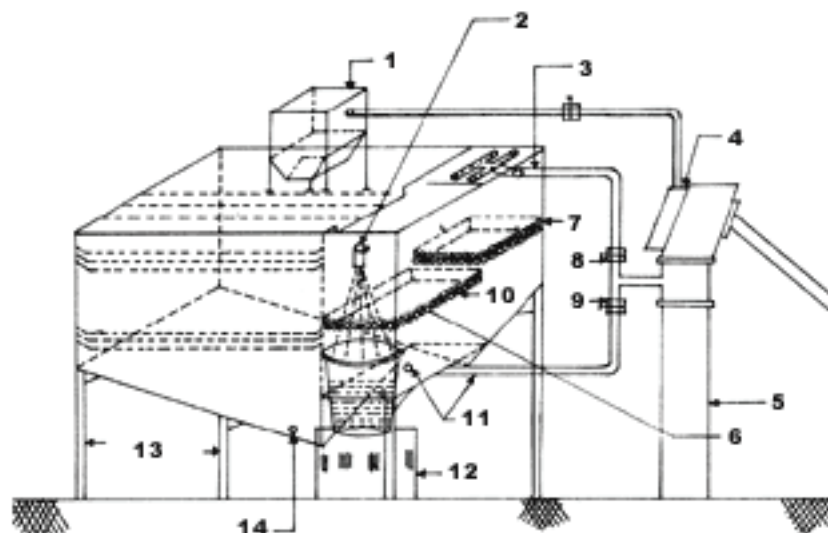
Industrial demineralisers are available in a full range of sizes and flow rates. They are design for both counter current or cocurrent regeneration. "Ultra-DM-ID" series plants are offered in TEN MAJOR configuration, strong & weak cation, strong & weak base Anion, mixed bed exchanger together with CO₂ degassifiers, depending on raw water analysis and minimum operating cost.

Excessive fluoride in drinking water is harmful and causes dental and skeletal fluorosis.

Aluminium sulphate on addition to water, hydrolysis to form white aluminium hydroxide flocs which during flocculation, trap only fluoride ions. The flocs have to settle under quiescent conditions.



Filtration Process



Desalination Plants

"Ultra-DM" Demineralisation

"Ultra – DM" demineralization system is the most economical means of meeting the increasing industry need for pure water with low TDS feed water. "Ultra – DM" demineraliser are based on Ion-Exchange Technology for removal of dissolved salts from water.

"Ultra – DM – PAC" Package Demineraliser

"Ultra-DM-PAC" series of standard package two step demineraliser are based on latest technique of Computer Current Regeneration (CCR), ranging from 100LPH to 6 m³ /hr to serve a wide variety of industries.

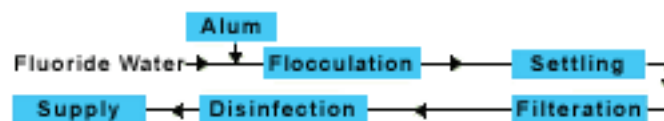
"Ultra – DM – PAC" series unit consists of two FRP pressure vessel, extra strong engineering grade plastic pipes and rugged multipart valve for easy operation. Necessary regeneration tank with ejector, conductivity meter, high grade Ion Exchange Resin is also offered with the system.

"Ultra-DM-ID" Industrial Demineraliser

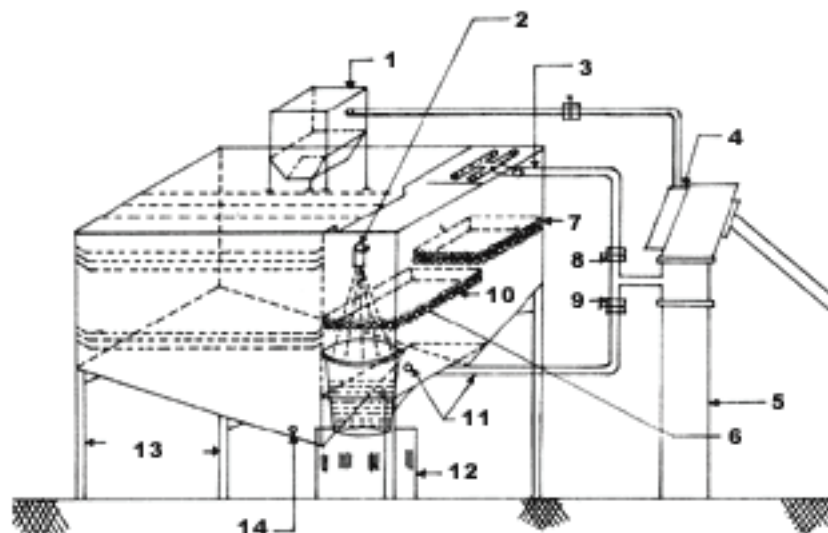
Industrial demineralisers are available in a full range of sizes and flow rates. They are design for both counter current or cocurrent regeneration. "Ultra-DM-ID" series plants are offered in TEN MAJOR configuration, strong & weak cation, strong & weak base Anion, mixed bed exchanger together with CO₂ degassifiers, depending on raw water analysis and minimum operating cost.

Excessive fluoride in drinking water is harmful and causes dental and skeletal fluorosis.

Aluminium sulphate on addition to water, hydrolysis to form white aluminium hydroxide flocs which during flocculation. trap only fluoride ions. The flocs have to settle under quiescent conditions.



Filtration Process



Floating flocs are removed by filtration. Filtered water is fit for consumption after disinfection.

1. CHEMICAL TANK
2. OUTLET
3. INLET
4. CHEMICAL DOSING SYSTEM
5. HAND PUMP
6. PERFORATED SHEET
7. GRAVEL
8. VALVE 1
9. VALVE 2
10. GRAVEL LAND
11. BACK WASHLINE
12. MASONARY
13. M.S. STAND
14. DRAIN